



***Tungsten Carbide Products
for Agricultural Planting***

V-slicers • furrow firming points • seed boots



V-slicers

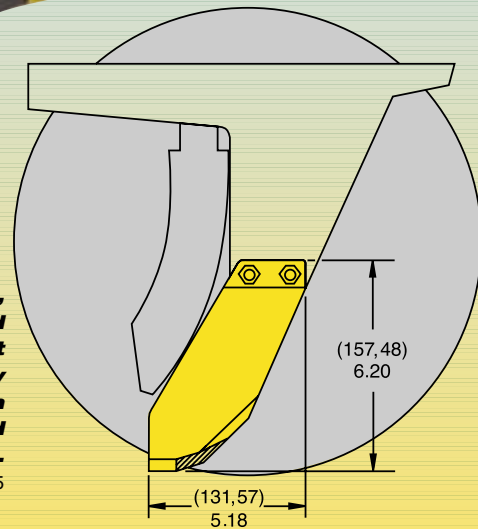
Designed to fit John Deere Max-Emerge[®] and Max-Emerge[®] 2, Kinze[®], Yetter[®], and New Idea[®] brand planters.

These Kennametal solid carbide-tipped V-slicers will:

- maximize seed-to-soil contact with wide, clean cuts
- eliminate seed bounce — achieve more uniform seed depth and spacing for better yield
- ensure proper seed placement for optimum development — seeds are placed at moist soil level, avoiding dry or loose soil
- maintain a uniform “V” shape in each trench
- last significantly longer than standard V-slicers, even in extremely abrasive soils

The solid carbide, triangular-shaped cutting insert is extremely aggressive in abrasive and hard soils.

U.S. patent no. 5,159,985



Product Order Information

<i>description</i>	<i>order code</i>	<i>weight per piece (lbs.)</i>	<i>container</i>	<i>pieces per container</i>
V-slicer	1011267	2.27	box	12
firming point	1868799	1.45	box	20
seed boot	1011265	2.24	box	12

**Designed to fit
Case IH 800, 900,
and ASM 1200
series planters**

Our furrow firming points have been redesigned for improved cutting action! We've added an additional carbide insert to the tool edge for more effective cutting in abrasive and rocky soils.

These furrow firming points:

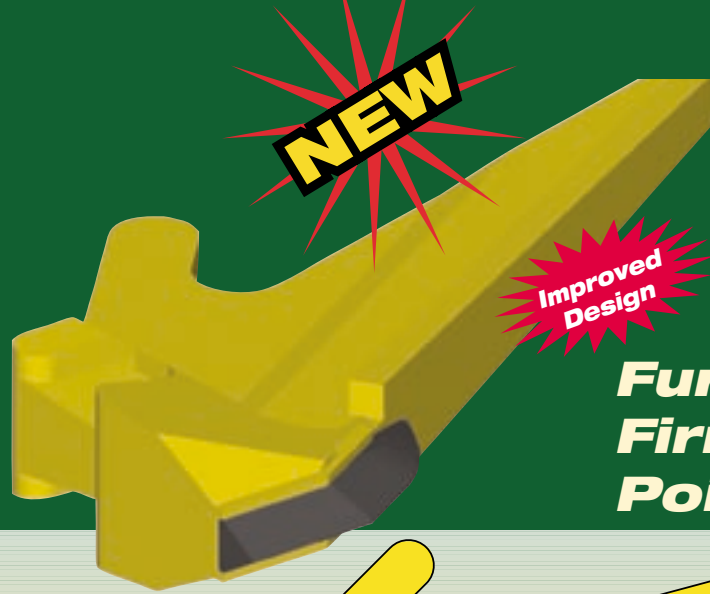
- are ideal for any row-planted crops (such as corn, soybean, etc.)
- feature a cutting insert positioned to prevent collection of trash or debris in field
- will provide superior performance and longer tool life compared to standard openers, even in extremely abrasive conditions

These solid carbide-tipped seed boots will:

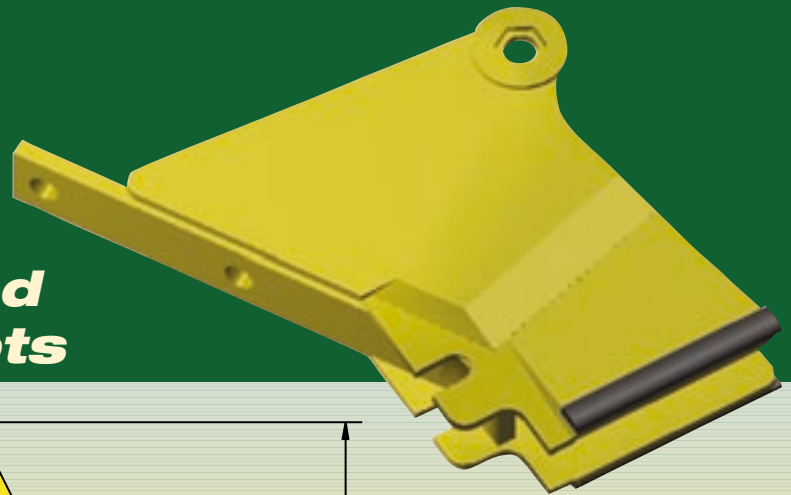
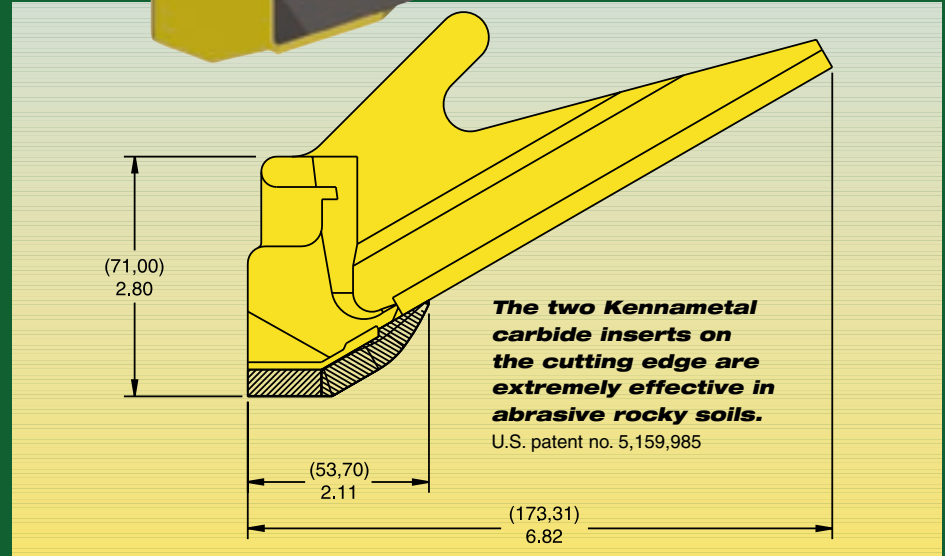
- outlast typical all-steel models, even in rocky soils and abrasive conditions because of the layer of carbide brazed on each side of the seed boot edge
- reduce machine and labor downtime and tool replacement costs with their long-lasting performance
- accept Kennametal solid carbide furrow firming points

Both tools:

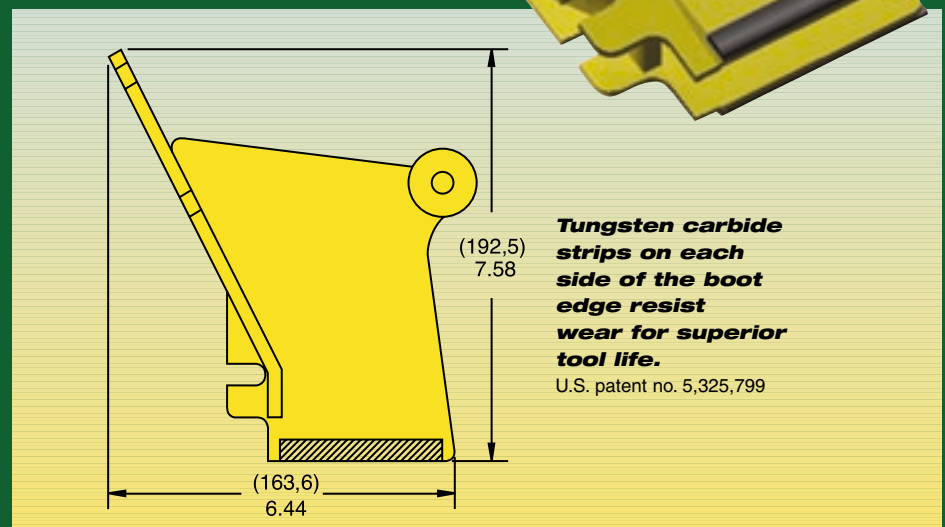
- ensure more uniform seed depth and spacing by virtually eliminating seed bounce
- maintain a trench's "V" shape
- improve seed development because seeds contact moist soil and avoid dry dirt



Furrow Firming Points



Seed Boots



**To keep your row planter equipped for maximum
productivity and efficiency, contact your local
Case IH dealer or Shoup Manufacturing Company
toll-free at 800/627-6137, or contact:**



KENNAMETAL®

Kennametal Inc.
442 Chalybeate Road
Bedford, PA 15522
814/623-4424

Kennametal and the stylized K are trademarks of Kennametal Inc. and are used as such herein. Case IH, John Deere, Max-Emerge, Max-Emerge 2, Shoup, Yetter, New Idea, and Kinze are trademarks of their respective companies and are used as such herein. Copyright 2001 by Kennametal Inc., Latrobe, PA. All rights reserved.